



RUPTURE DISC HOLDER IG-KUB®

Quick and easy installation between companion flanges

The IG-KUB® rupture disc holder is designed to provide safe and simple installation of the KUB® or IKB® reverse acting rupture discs. Inherent safety features prevent incorrect installation. The torque independent disc and holder assembly is simply placed within the bolt-hole pitched circle diameter (pcd) of the companion flange. ALL international flange classes are suitable, such as DIN, ANSI, JIS etc..

High tolerance metal-to-metal sealing technology enables unlimited inspection scenarios (temporary removal of the rupture disc for visual inspection). If in good condition the same rupture disc can be reinserted into the IG-KUB® holder. When the complete assembly is replaced back between the companion flanges leak-tight integrity is maintained and assured without the need to be concerned with time consuming specific torque values. For the installation of KUB® and IKB® rupture discs between DIN and ANSI flanges.

Quality and Certifications

REMBE® rupture discs are tested and approved according to PED. Based on standard guidelines, e.g. PED 2014/68/EU, all series are produced, tested and delivered with the inspection certificate. The REMBE® team provides total support in designing, sizing and selecting the rupture disc in accordance with customer specifications, compliant with the following:

- PED
- EN ISO 4126-6, EN 4126-6 and EN ISO 9001:2015, ISO/TS 29001:2010, KTA
- AD 2000-Merkblatt A 1
- ASME Sec. VIII, Div. 1
- API Standard 520, Part 1 requirements (as applicable)

On the basis of these results you will be given professional advice on which product to choose – advice that is carefully suited to your individual requirements. Please contact us for more information.

Your advantages

- Designs for different pressure ranges and companion flange types
- Connections for pressure monitoring of disc assembly is optional
- Reusable holder
- Metal-to-metal sealing
- Torque independent assembly
- Standard materials: stainless steel, 1.4301, 1.4404, 1.4435, 1.4571, 1.4539, hastelloy C, titanium, nickel, inconel
- Lateral connecting bores (inspection bore for installation upstream of safety valves)
- Screw connections for integrated signaling devices
- Available in API format*
- Heater and flush connections*
- Tantalum plating*
- Electrolytic gold coating*
- 68/EU Specific sealing surface treatment* (such as tongue and groove, male and female face joints, etc.)

*optional

You can find detailed information and contact details for enquiries relating to IG-KUB® at www.rembe.de.
Give us a call on: T +49 2961 7405-0 or contact us via email: info@rembe.de.



Safety is for life.™

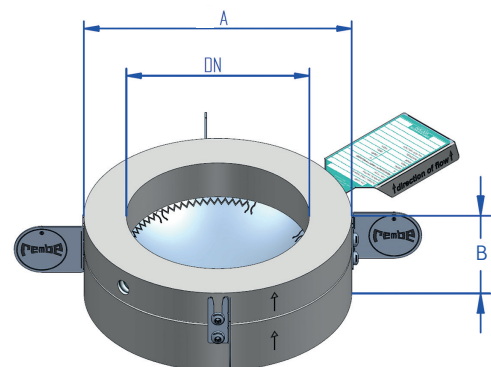
PRODUCT INFORMATION

Technical data

DIN EN 1092-1*

NPS [in]	DN [mm]	Pressure class PN	A [mm]	B [mm]	Number of studs	Recommended stud size
¾"	20	10/16/25/40	61	41	4	M12
1"	25	10/16/25/40	71	46	4	M12
		64(63)/100	82	46	4	M16
1¼"	32	10/16/25/40	82	46	4	M16
1½"	40	10/16/25/40	92	46	4	M16
2"	50	10/16	105	57	4	M16
		25/40	105	57	4	M16
2½"	65	10/16	127	57	8(4)	M16
		25/40	127	57	8	M16
3"	80	10/16	142	60	8	M16
		25/40	142	60	8	M16
4"	100	10/16	162	68	8	M16
		25/40	167	68	8	M20
5"	125	10/16	192	68	8	M16
		25/40	194	68	8	M24
6"	150	10/16	217	80	8	M20
		25/40	223	80	8	M24
8"	200	10	272	84	8	M20
		16	272	84	12	M20
		25	283	84	12	M24
		40	290	84	12	M27
10"	250	10	328	91	12	M20
		16	328	91	12	M24
		25	340	91	12	M27
		40	352	91	12	M30
12"	300	10	378	92	12	M20
		16	378	92	12	M24
		25	400	92	16	M27
		40	417	92	16	M30
14"	350	10	438	104	16	M20
		16	443	104	16	M24
16"	400	10	485	109	16	M24
		16	496	109	16	M27
20"	500	10	594	119	20	M24
		16	617	119	20	M30
24"	600	6	679	133	20	M24
		10	692	133	20	M27
		16	734	133	20	M33
28"	700	6	784	150	24	M24
		10	810	150	24	M27
		16	804	150	24	M33
32"	800	6	890	175	24	M27
		10	917	175	24	M30
		16	911	175	24	M36

* Replaces DIN 2631 and following.





Safety is for life.™

PRODUCT INFORMATION

Technical data						
ASME B 16.5 (3/4" – 24") and ASME B 16.47 Serie A (26" – 32")						
NPS [in]	DN [mm]	Pressure class ANSI	A [mm]	B [mm]	Number of studs	Recommended studs size
3/4"	20	300	63	41	4	5/8"
1"	25	150	63	46	4	1/2"
		300/600	69	46	4	5/8"
		900/1500	76	46	4	7/8"
1 1/4"	32	150	73	46	4	1/2"
		300/600	79	46	4	5/8"
		900/1500	85	46	4	7/8"
1 1/2"	40	150	82	46	4	1/2"
		300/600	92	46	4	3/4"
		900/1500	95	46	4	1"
2"	50	150	101	53	4	5/8"
		300/600	107	53	8	5/8"
		900/1500	139	53	8	7/8"
2 1/2"	65	150	120	57	4	5/8"
		300/600	127	57	8	3/4"
		900/1500	162	57	8	1"
3"	80	150	133	60	8	5/8"
		300/600	146	60	8	3/4"
		900	165	60	8	7/8"
		1500	171	60	8	1"
4"	100	150	171	68	8	5/8"
		300	177	68	8	3/4"
		600	190	68	8	7/8"
		900/1500	203	68	8	1"
5"	125	150	193	68	8	3/4"
		300	212	68	8	3/4"
		600	238	68	8	1"
6"	150	150	219	80	8	3/4"
		300	247	80	12	3/4"
		600	263	80	12	1"
8"	200	150	276	84	8	3/4"
		300	304	84	12	7/8"
		600	317	84	12	1 1/8"
10"	250	150	336	91	12	7/8"
		300	358	91	16	1"
12"	300	150	406	92	12	7/8"
		300	419	92	16	1 1/8"
14"	350	150	447	104	12	1"
		300	482	104	20	1 1/8"
16"	400	150	511	109	16	1"
		300	536	109	20	1 1/4"
18"	450	150	546	119	16	1 1/8"
		300	593	119	24	1 1/4"
20"	500	150	603	119	20	1 1/8"
		300	650	119	24	1 1/4"
24"	600	150	714	133	20	1 1/4"
		300	771	133	24	1 1/2"
26"	650	150	771	150	24	1 1/4"
		300	831	150	28	1 3/4"
28"	700	150	828	150	28	1 1/4"
		300	895	150	28	1 1/4"
30"	750	150	879	150	28	1 3/8"
		300	949	150	28	1 5/8"
32"	800	150	936	175	28	1 1/2"
		300	1003	175	28	1 3/4"

Consulting. Engineering. Products. Service.

REMBE® GmbH Safety+Control

Gallbergweg 21 | 59929 Brilon, Germany | T +49 2961 7405-0 | F +49 2961 50714
info@rembe.de | www.rembe.de