



Safety is for life.™

PRODUCT INFORMATION



FOR LOW BURST PRESSURE AND HIGH VACUUM

The UKB LS comprises a customisable housing, a reverse acting rupture disc and a three-section knife. When the defined burst pressure is reached, the rupture disc is pressed against the knife and opens. This design provides the lowest possible burst pressures while at the same time offering good vacuum resistance even up to high vacuum conditions. The rupture disc and housing are micro-welded and all elements are made of metal. This ensures maximum leak-tightness. Leakage rates of up to 10^{-10} are possible. With a wide array of available connections, we supply the ideal pressure relief unit for every application – even for ultra-clean processes.

Despite its individuality, a number of “standard” sizes have become established for UKB LS over the last few decades. These are for installation between industry standard flanges.

Your advantages

- Maximum **leak-tightness**.
- Also suitable for **high vacuum** applications.
- Out of this world: these rupture discs **even protect space satellites** – so you can be confident they will function reliably.

Helium
leak-tested



■ Made
■ in
■ Germany

You can find detailed information and contact details for enquiries relating to UKB LS® at www.rembe.de.
Give us a call on: T +49 2961 7405-0 or contact us via email: info@rembe.de.





Safety is for life.™

PRODUCT INFORMATION

Certification



Works Certificate



PED



ASME



KOSHA (South Korea)



TR CU (EEU)

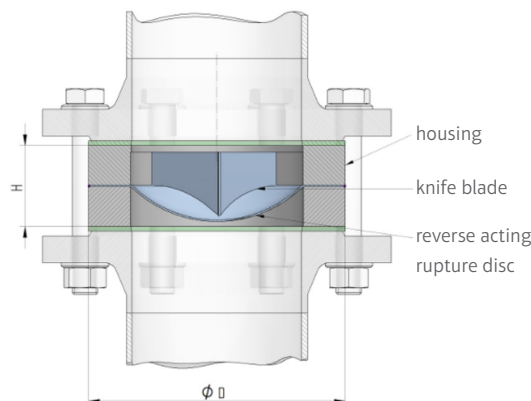
Technical data

DIN EN 1092-1**, Type 11			ASME B 16.5					H* [mm]	
DN	NPS [in]	Ø D [mm]	PN 10	PN 16	PN 25	PN 40	150#RF		300#RF
20	¾"	61	61	61	61	61	53	63	40
25	1"	71	71	71	71	71	63	69	40
40	1½"	92	92	92	92	92	82	92	40
50	2"	105	105	105	105	105	101	107	40
65	2½"	127	127	127	127	127	120	127	50
80	3"	142	142	142	142	142	133	146	50
100	4"	162	162	167	167	167	171	177	60
150	6"	217	217	223	223	223	219	247	80
200	8"	272	272	283	290	290	276	304	110
250	10"	328	328	340	352	352	336	358	130
300	12"	378	378	400	417	417	406	419	150
350	14"	438	443	457	474	474	447	482	170
400	16"	489	495	514	546	546	511	536	190

H is the standard dimension. This dimension might be higher if a edgewise threaded connection in the process-averted part of the housing, in case of using flanges with tongues and grooves or in case of ledge and recess is requested. If H needs to be reduced, please contact us.

Different sizes, pressure classes, temperatures, materials and fittings available on request.

**Replaces DIN 2631 and following.



Consulting. Engineering. Products. Service.

REMBE® GmbH Safety+Control

Gallbergweg 21 | 59929 Brilon, Germany | T +49 2961 7405-0 | F +49 2961 50714
info@rembe.de | www.rembe.de